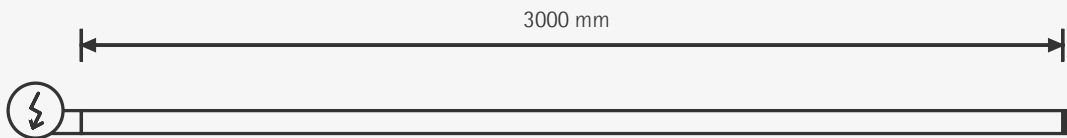



Your configuration for ERCO track and singlets

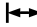
Total length: 3070 mm

Reflected ceiling plan






 Position of the live end

 Connector / live end

 Length of track without adapter and live end

Parts list for your project:

	Art. No.	quantity	Name	features
	78343.000	1	Track	3000mm, White
	79300.000	1	3-circuit live end	ERCO 3-circuit live end White Polymer. Earth conductor, right.
	79302.000	1	End plate	ERCO End plate White Polymer.

Recall this configuration
www.erco.com/load/08c144db7f

Helpful links:



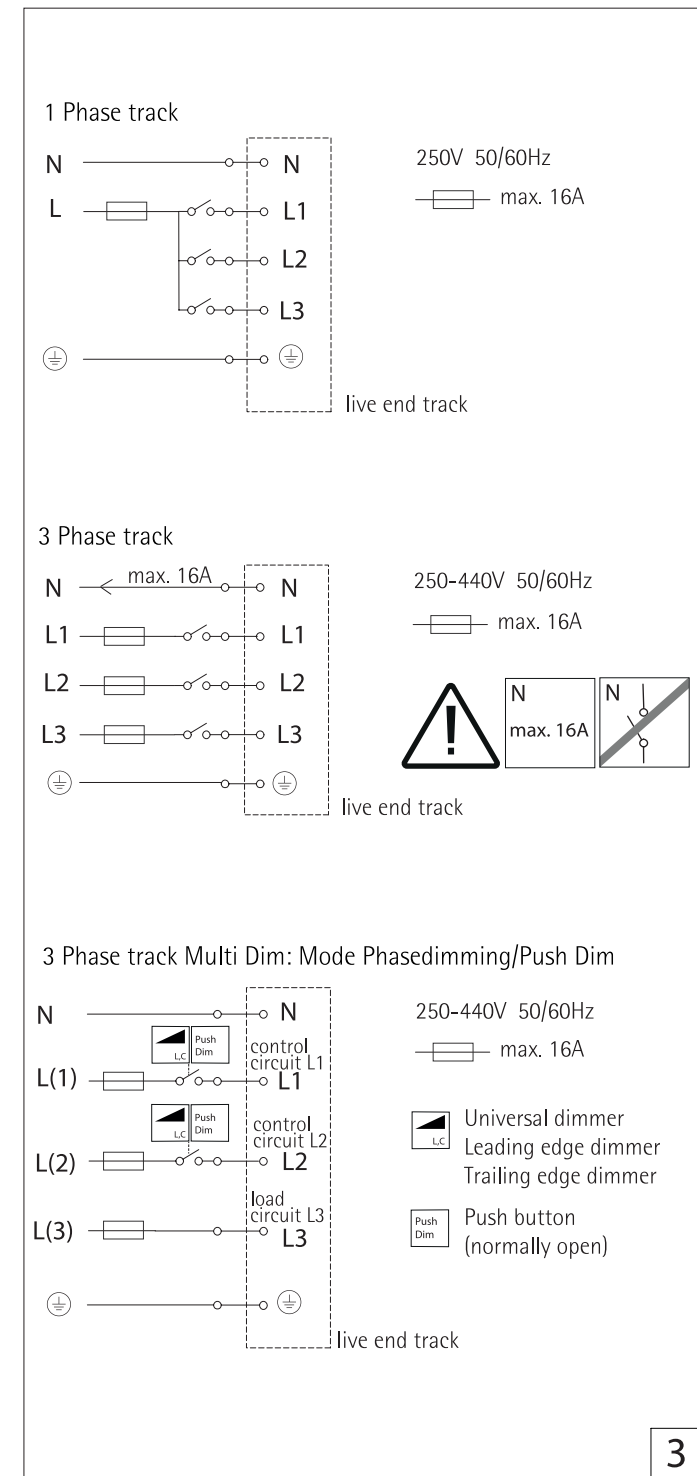
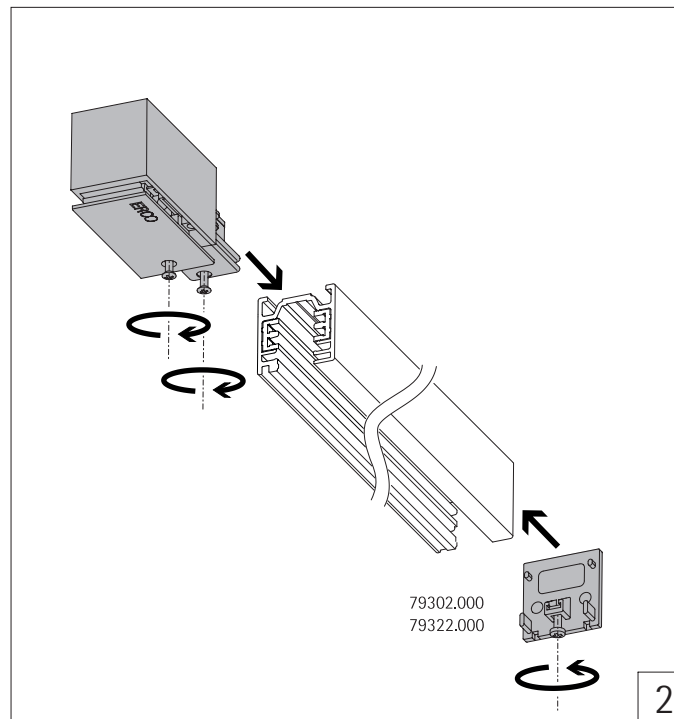
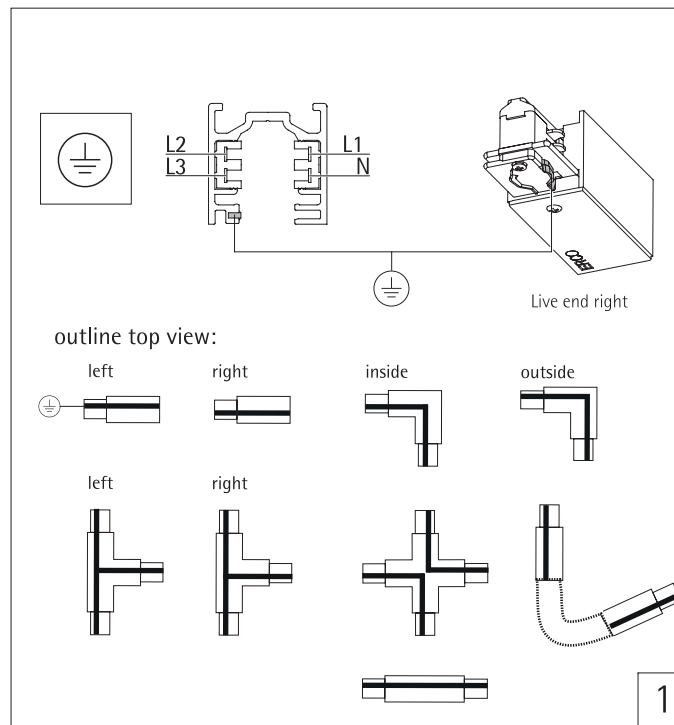
Planning aid for track
download.erco.com




ERCO track and singlets
www.erco.com/erco-track


3-circuit connector

Mounting instructions




English

 Read the instructions carefully before installation and commissioning!

 Leave the instructions for users/customers for future reference!

General safety information

 **Warning!**
Risk of electric shock!

Prior to maintenance, cleaning and installation work, disconnect mains cables and check the power is switched off.

Attention!

- The electrical contractor has responsibility for ensuring the electrical, mechanical and thermal compatibility between the track connector and track system.
- Installation requires specialist electrical knowledge and must only be carried out by an approved specialist.
- When installing, always observe the national installation and accident prevention regulations.
- When installation is complete, check the function of the protective conductor on the track.

Intended use

- Installation and operation is only permissible with ERCO track and accessory parts.
- The track is suitable for use in dry interiors only.

Installation information

- Observe the position of the earth conductor. Various versions are available (fig. 1).
- Attach end plate 79302 or 79322 to the free track ends (fig. 2).
- Connect the connectors according to the operating modes (fig. 3):

1-circuit operation

Connection to the 250V power supply
max. 3 control circuits/load circuits
fuse protection max. 16A

3-circuit operation

Connection to the 250-440V
(240-415V) power supply
3 control circuits/load circuits
fuse protection max. 3x16A

3-circuit operation only for luminaires with Multi Dim mode phase dimming or Push Dim

Connection to the 250-440V
(240-415V) power supply as shown in the drawing.

2 control circuits / 1 load circuit. Load circuit L3 with continuous phase fuse protection max. 16A

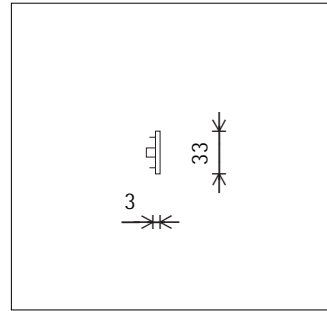
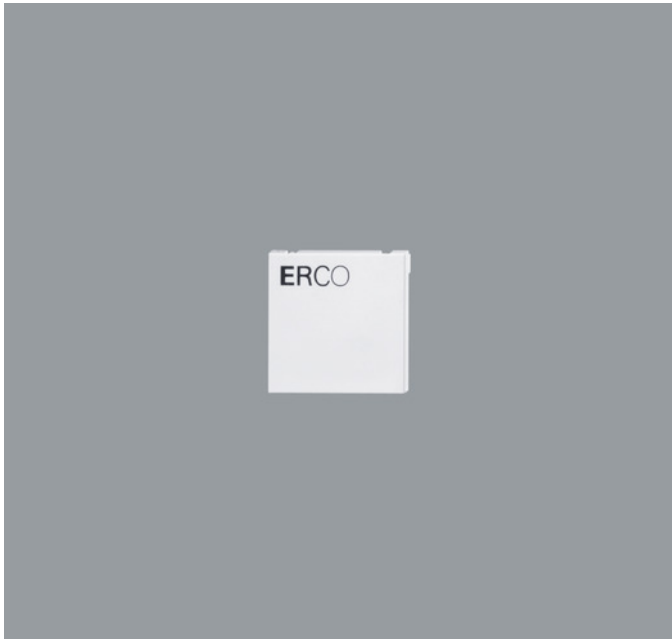
Electrical installation

For 3-circuit installation: to avoid any damage to the control gear, the neutral conductor must never be connected or disconnected during operation.

Cleaning

Always clean carefully using a soft cloth and a commercially available, ph-neutral, alcohol-free, non-abrasive cleaning agent.

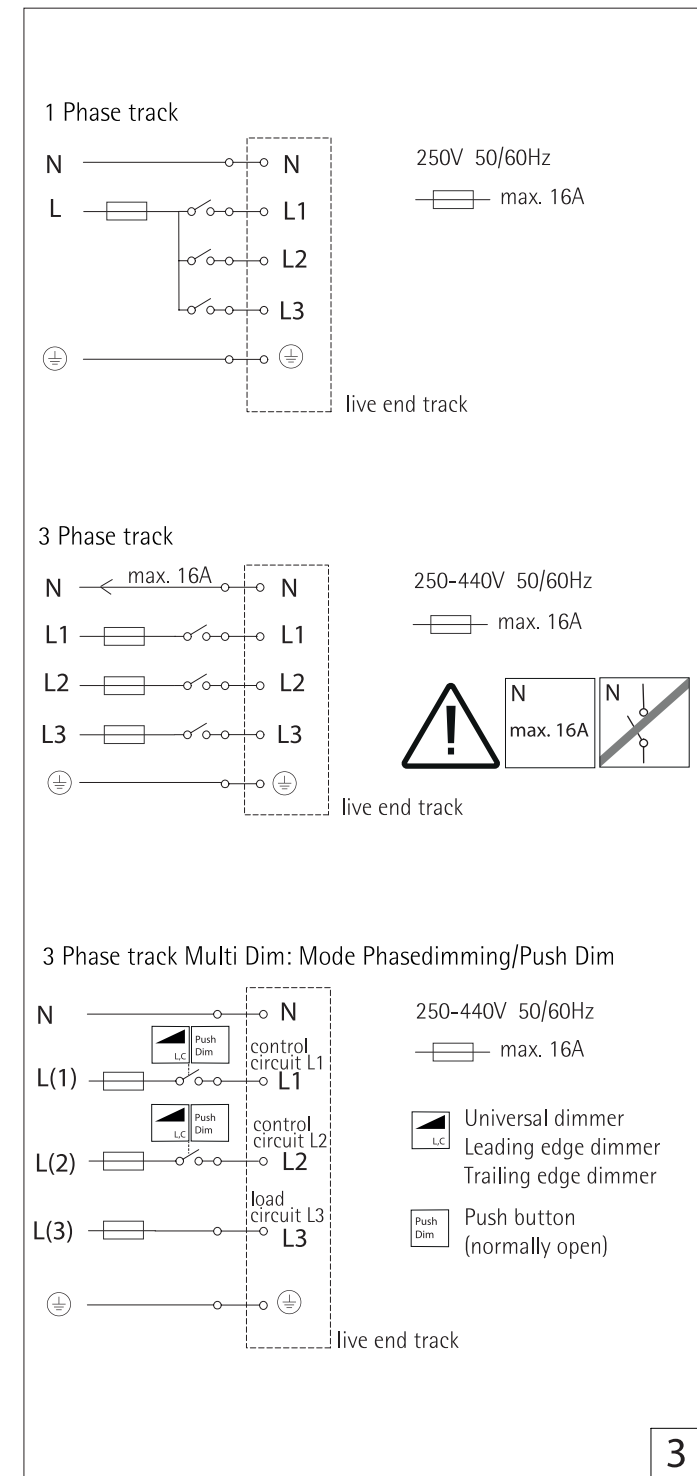
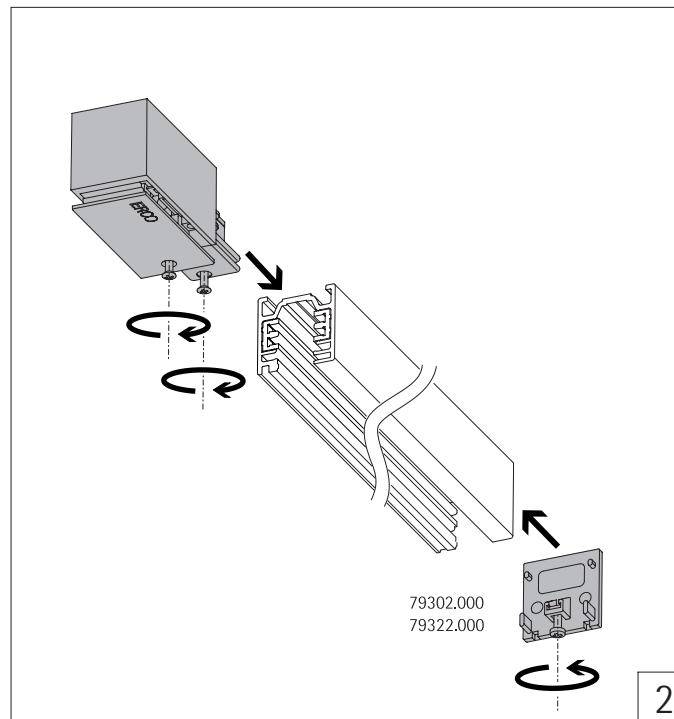
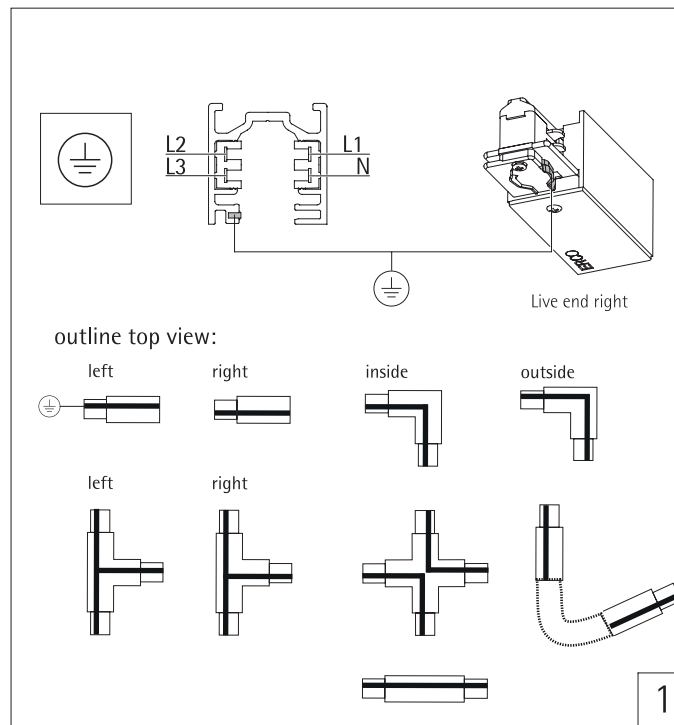
79302.000




Product description
for ERCO track.
Polymer.
White
Weight kg


3-circuit connector

Mounting instructions




English

 Read the instructions carefully before installation and commissioning!

 Leave the instructions for users/customers for future reference!

General safety information

 **Warning!**
Risk of electric shock!

Prior to maintenance, cleaning and installation work, disconnect mains cables and check the power is switched off.

Attention!

- The electrical contractor has responsibility for ensuring the electrical, mechanical and thermal compatibility between the track connector and track system.
- Installation requires specialist electrical knowledge and must only be carried out by an approved specialist.
- When installing, always observe the national installation and accident prevention regulations.
- When installation is complete, check the function of the protective conductor on the track.

Intended use

- Installation and operation is only permissible with ERCO track and accessory parts.
- The track is suitable for use in dry interiors only.

Installation information

- Observe the position of the earth conductor. Various versions are available (fig. 1).
- Attach end plate 79302 or 79322 to the free track ends (fig. 2).
- Connect the connectors according to the operating modes (fig. 3):

1-circuit operation

Connection to the 250V power supply
max. 3 control circuits/load circuits
fuse protection max. 16A

3-circuit operation

Connection to the 250-440V
(240-415V) power supply
3 control circuits/load circuits
fuse protection max. 3x16A

3-circuit operation only for luminaires with Multi Dim mode phase dimming or Push Dim

Connection to the 250-440V
(240-415V) power supply as shown in the drawing.

2 control circuits / 1 load circuit. Load circuit L3 with continuous phase fuse protection max. 16A

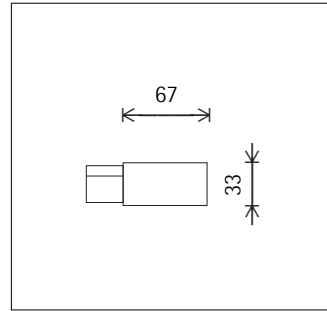
Electrical installation

For 3-circuit installation: to avoid any damage to the control gear, the neutral conductor must never be connected or disconnected during operation.

Cleaning

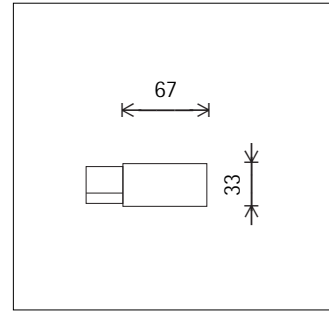
Always clean carefully using a soft cloth and a commercially available, ph-neutral, alcohol-free, non-abrasive cleaning agent.

79301.000



Product description
for ERCO 3-circuit track.
Polymer.
Earth conductor, left.
White
Weight kg

79300.000



Product description
for ERCO 3-circuit track.
Polymer.
Earth conductor, right.
White
Weight kg

Notes and safety instructions

Luminaires for ERCO track

English

- The following safety instructions and information apply to luminaires with 3-circuit adapter, DALI adapter, transadapter and DALI transadapter.
- Follow all enclosed instructions during installation.



Read the instructions carefully before installation and commissioning!



Leave the instructions for users/customers for future reference!

General safety information

Warning!
Risk of electric shock!


- Before carrying out maintenance and installation on the luminaire, disconnect from the mains supply and also from any other DALI control wiring, and ensure that all power is switched off.
- The luminaire is approved for mounting in ERCO track only.
- If ERCO adapters are used with products manufactured by third parties, no liability can be accepted for the electrical safety and functionality of the combined system or for consequential damage resulting from the combination. The liability for defective ERCO adapters remains unaffected.

Caution!
Blue light hazard!



Position the luminaire marked with one of two adjacent pictograms so that extended gazing into the luminaire from a distance of less than x m is not expected. Find the value for x in the included graphic installation instructions.

Caution!
Risk of fire!

This sign  on the luminaire symbolises the safety distance between luminaire and directly illuminated object in beam direction. Failure to keep this safety distance may damage the object or cause fire.

Caution!
Risk of burns!



Luminaire with this pictogram in the attached graphic mounting instructions may reach surface temperatures of more than 60° and cause skin burns. This luminaire must be installed outside of the hand area.

Attention!

- The LED module of this luminaire may only be replaced or repaired by the manufacturer. If the LED module is damaged or fails, the complete luminaire must be sent back to the factory.
- Never operate luminaires with damaged connection cables. The connection cable may only be replaced by the manufacturer.

- When installing, always observe the national installation and accident prevention regulations.

Intended use

The luminaire is suitable for use in dry interiors only.

Restrictions

Luminaires with transadapters or DALI transadapters may not be installed in singlets.

Wall-mounting

If track is mounted horizontally, only luminaires weighing up to a maximum of 2kg may be used.
If vertically mounted, the guiding groove on the track profile must be facing to the right. Only use luminaires weighing up to a maximum of 3.5kg. For deviating restrictions, please refer to the enclosed graphic mounting instructions.

Choosing the mounting location

Position the luminaire so as to avoid operation in direct sunlight or near other sources of heat. High ambient temperatures can reduce the life and efficiency of the control gear or LED module.

Luminaires with radio control

Depending on the version, these luminaires can be controlled via Casambi Bluetooth or Zigbee.
- ERCO GmbH hereby declares that the track luminaires with Casambi Bluetooth or Zigbee control are compliant with Directive 2014/53/EU and the UK SI 2017 No. 1206 - The Radio Equipment Regulations 2017.

Radio operation takes place on the frequency bands 2402 - 2480 MHz (Casambi Bluetooth, Zigbee) with a maximum transmission power of 4/8 dBm (Casambi Bluetooth) or 10 dBm (Zigbee).

The complete text of the certificates is available at the following internet address: www.erco.com/certificates
Luminaires with Casambi Bluetooth
- For control of the luminaire you need a Bluetooth 4.0-capable smartphone or tablet and the Casambi app for iOS or Android downloadable for free in the specific app stores.

- You can couple up to 250 luminaires in a Casambi mesh network. This number can be increased via several parallel networks.
- Because the switching signal in a mesh network is transferred from luminaire to luminaire, the spacing between two luminaires must not exceed 10m. This distance may be less according to the environment. For this reason you should check possible spacing between the luminaires prior to installation.

Luminaires with Zigbee

Precondition: Zigbee 3.0 suitable hub available.

- It is recommended to always check the combination of Zigbee devices and luminaires.

- Provided that mains voltage is permanently present, the luminaires in the Zigbee Mesh network can be used as routers.
- Depending on the Zigbee hardware, up to 240 devices are possible in one network.

- Several networks can be set up in parallel. For further information see www.zigbee.org

Initial installation of luminaire with Zigbee

1. Activate network and open it at the gateway via the software.
2. Insert luminaire in track and switch on power supply on the luminaire.
- The luminaire automatically connects to the network.

Note: networks remain open for only a few minutes, repeat the entire connection process if necessary. Further information can be found here: www.erco.com/zigbee

Removing luminaire with Zigbee from an existing network

If a luminaire is to be stored or used in another network, log it off from the current network before removing. For this purpose use a command in the current network, e.g. "Delete luminaire". If you have not logged off the luminaire you must reset it before further use. For information about this see: www.erco.com/zigbee

Luminaires with DALI

The DALI control lines and mains cable are basic insulated from each other. Maintaining the designated insulation barriers of the luminaire or device may also depend on components/products externally connected to the control bus. This is the responsibility of the control system designer and not the luminaire or device manufacturer.

Luminaires with RGBW / tunable white

Control via Casambi Bluetooth, Zigbee or DALI. A DALI system with colour management (device type 8) is required for control via DALI.
Colour compensation ensures the same light colour for all controlled luminaires with the same control values.

Electrical installation

For 3-circuit installation: to avoid any damage to the control gear, the neutral conductor must never be connected or disconnected during operation.

Overvoltage protection

ERCO uses electronic control gear with overvoltage protection in accordance with DIN EN 61547. If additional protection from spikes is required, e.g. when switching off inductive loads, separate overvoltage protection units should be installed.

Dimming

Depending on the version, the luminaire can be dimmed via suitable dimmers (trailing edge).

Trailing edge dimmers
Follow the manufacturer's installation instructions.

For some products, the luminaire can only be switched on in the upper dimming range. Before installation and connection, check luminaire, control gear and dimmer combination for proper functioning of the dimmer, especially when using universal dimmers.

The use of dimmers which are unsuitable for LED drivers can damage the luminaire, control gear and/or the dimmer. No responsibility is accepted for the use of dimmers that are unsuitable for the luminaire.

On-board Dim (potentiometer)

The luminous flux can be continuously dimmed with the rotary control on the luminaire, and (depending on the version) also with a trailing edge dimmer.

Rotate light distribution

Caution!
Danger from falling parts!

Lens Unit

When adjusting, turn the lens clockwise only. Turning anticlockwise releases the lens from the luminaire!

Spherolit lens

When loosening the lens holder make sure the Spherolit lens doesn't fall to the ground!

Luminaires with wallwash

By rotating the luminaires, walls or objects on both sides of the luminaire can be illuminated. Note that the lens must always be aligned as shown in the graphic mounting instructions for this purpose.

Flashing of the LED module

It is normal for the LED module to flicker when switching on and off.

Cleaning

Always clean carefully using a soft cloth and a commercially available, pH-neutral, alcohol-free, non-abrasive cleaning agent.

Disposal

 In accordance with EU Directive WEEE (Waste Electrical and Electronic Equipment), luminaires must not be disposed of with other household waste. At the end of their life, luminaires must be taken to the appropriate local facility available for the disposal or recycling of electronic products.

Effizienzklasse Lichtquelle
Efficiency class light source
Classe d'efficacité énergétique de la source lumineuse
Efficiëntieklasse lichtbron
Classe di efficienza della sorgente luminosa
Clase de eficiencia de la fuente de luz
Ljuskällans energiklass
Energiklasse lyskilde
Energieeffektivitetsklasse for lyskilden

Deutsch

Dieses Produkt enthält eine Lichtquelle der Effizienzklasse E.
Aus wärmetechnischen und lichttechnischen Gründen sowie dem Schutz elektronischer Bauteile vor ESD (Electro Static Discharge) kann die Lichtquelle nicht vom Kunden gewechselt werden.

English

This product contains a light source of efficiency class E.
Due to thermal and photometric properties as well as to protect electronic components from ESD (electrostatic discharge) the light source cannot be changed by the customer.

Français

Ce produit comprend une source lumineuse de classe d'efficacité énergétique E.
Pour des raisons techniques liées à la chaleur et à l'éclairage, ainsi que pour protéger les composants électroniques contre la décharge électrostatique (DES), la source lumineuse ne peut pas être remplacée par le client.

Nederlands

Dit product bevat een lichtbron van efficiëntieklasse E.
Om warmtetechnische en lichttechnische redenen almede de bescherming van elektronische componenten tegen ESD (elektrostatische ontlading) kan de lichtbron niet door de klant worden gewisseld.

Italiano

Questo prodotto contiene una sorgente luminosa con classe di efficienza E.
Per ragioni tecniche di temperatura e illuminazione e la protezione dei componenti elettrici dall'ESD (Electro-Static Discharge), la sorgente luminosa non deve essere sostituita dal cliente.

Español

Este producto contiene una fuente de luz con clase de eficiencia E.
Por motivos térmicos y luminotécnicos, así como para proteger los componentes electrónicos contra descargas electrostáticas (ESD), no se permite al cliente cambiar la fuente de luz.

Svenska

Denna produkt innehåller en ljuskälla i energiklass E.
Av värme- och ljus tekniska skäl samt avseende skyddet av elektroniska komponenter mot elektrostatiska urladdningar (ESD) kan ljuskällan inte bytas av kunden.

Norsk

Dette produktet inneholder en lyskilde i energiklasse E.
Av varme- og lystekniske årsaker samt for å beskytte de elektroniske komponentene mot ESD (Electro Static Discharge), er det ikke mulig for kunden å skifte lyskilde.

Dansk

Dette produkt indeholder en lyskilde i energieffektivitetsklasse E.
Af varmetekniske og lystekniske samt for at beskytte de elektroniske komponenter mod ESD (electrostatic discharge/statiske udledninger) kan kunden ikke selv udskifte lyskilden.

General safety information

CAUTION

max. 5.0kg* max. 3,5 kg*
 guiding groove right max. 2.0kg*

* incl. accessories

CAUTION

x=min

Size	S	M
Narrow spot	1.4m	1.5m
Spot	0.5m	0.5m
Flood	0.3m	0.3m

CAUTION

min. 1.5m
 min. 2.5m

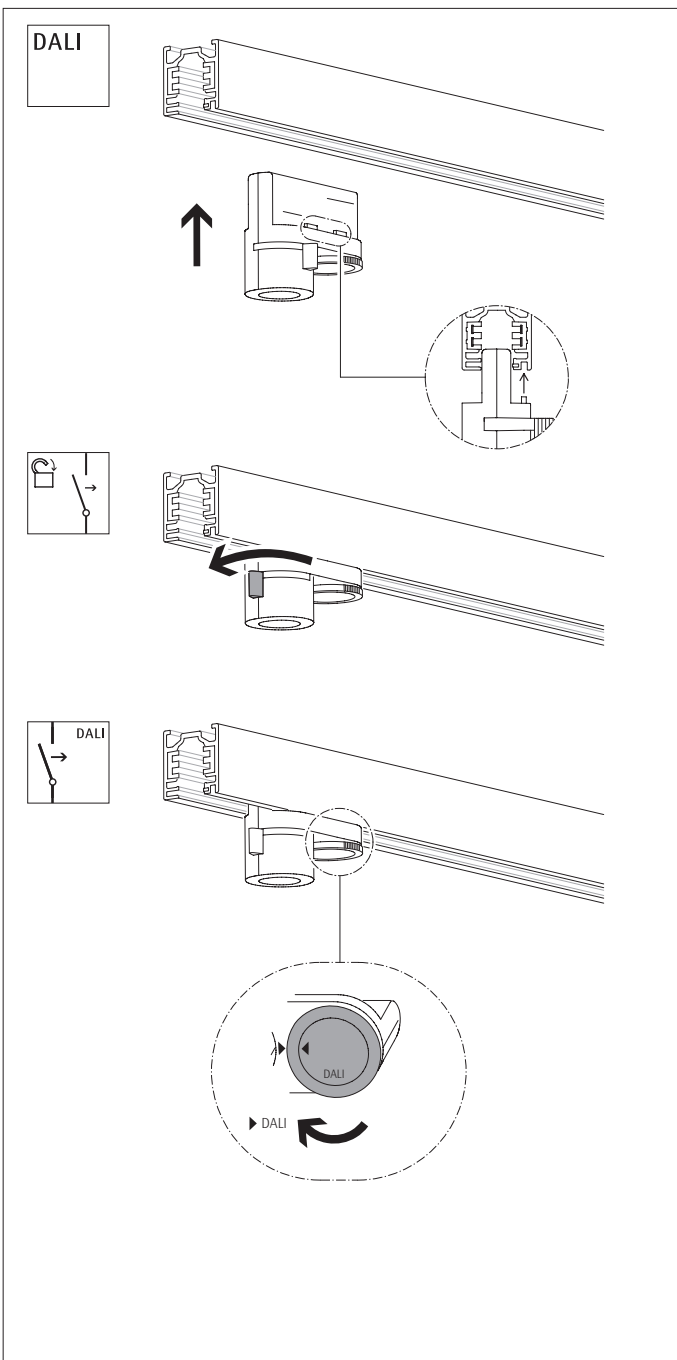
Only fixed light colour luminaires All light distributions except narrow spot

On-board Dim Casambi Bluetooth

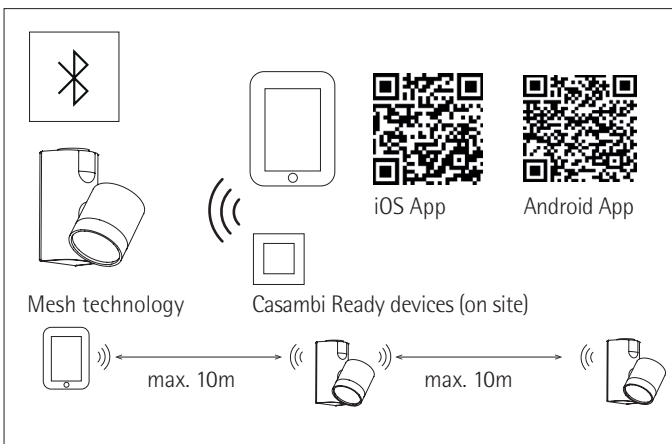
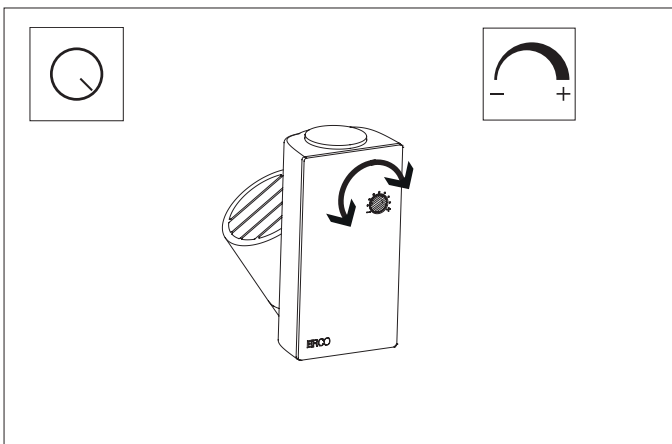
The diagrams illustrate the following steps:

- Physical connection of the Casambi module to the light fixture's PCB.
- Electrical connection of the module to the power supply (L, N, PE).
- Adjustment of the module's potentiometers (1, 2, 3) for dimming and color temperature control.

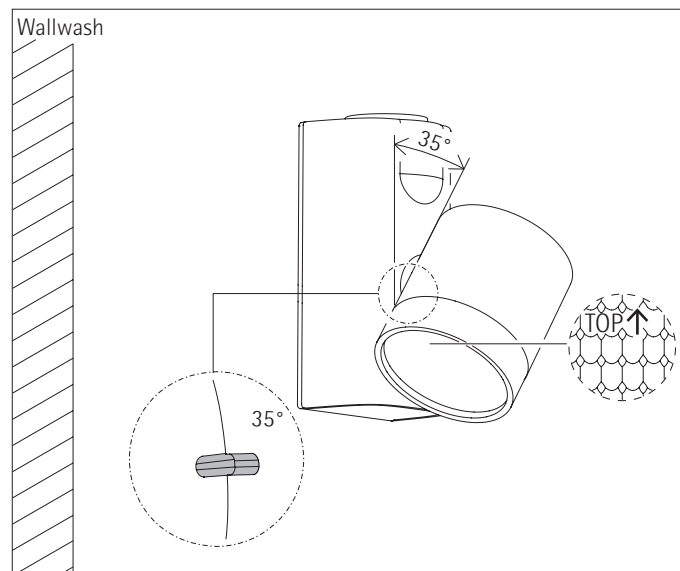
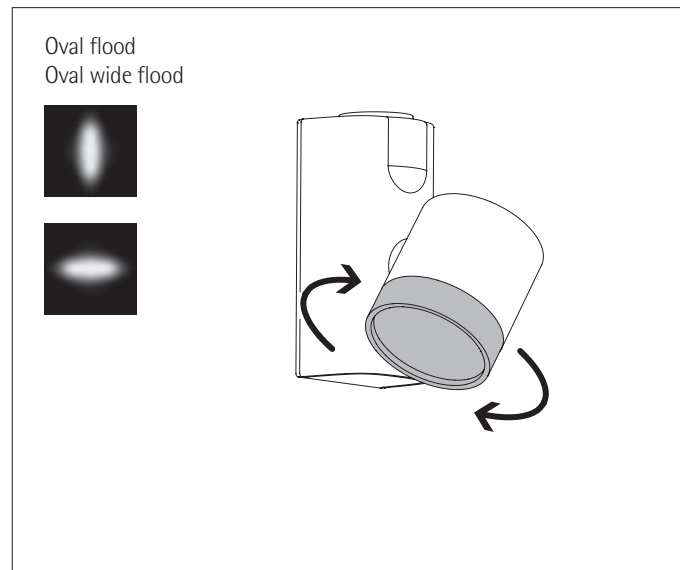
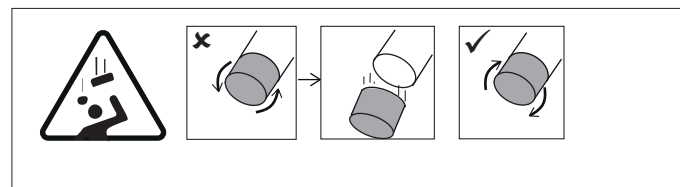
DALI



On-board Dim Casambi Bluetooth

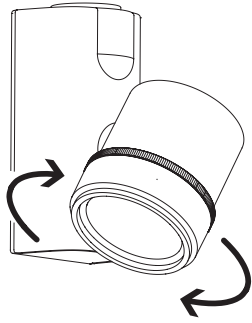
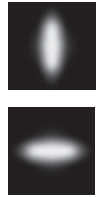
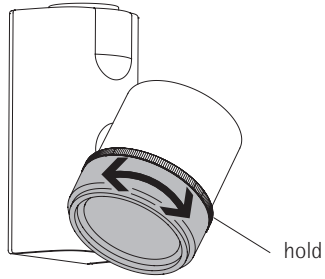
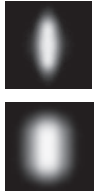


Rotate light distribution

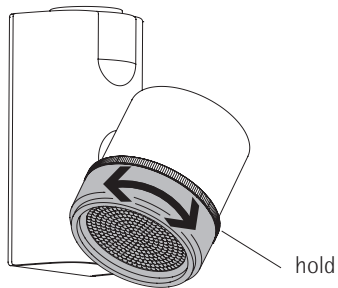
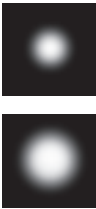


Rotate light distribution

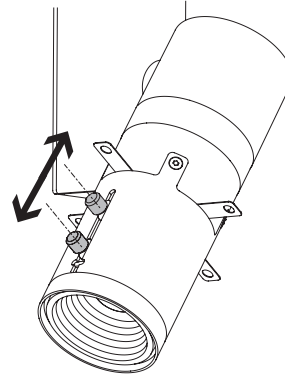
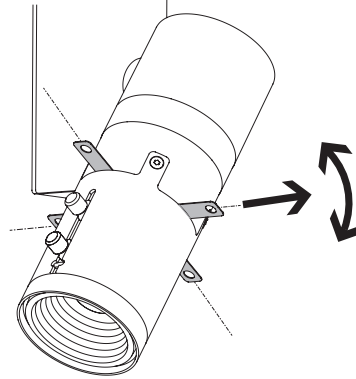
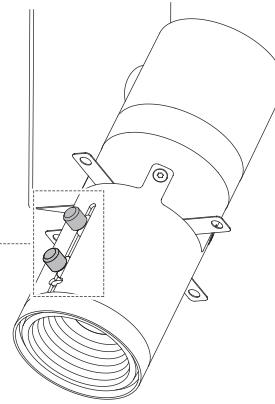
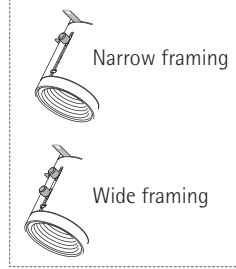
Zoom oval



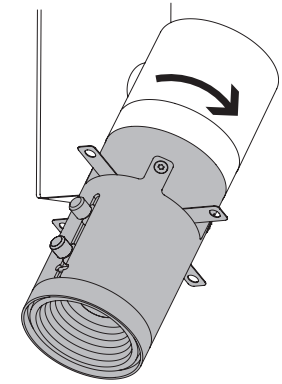
Zoom spot



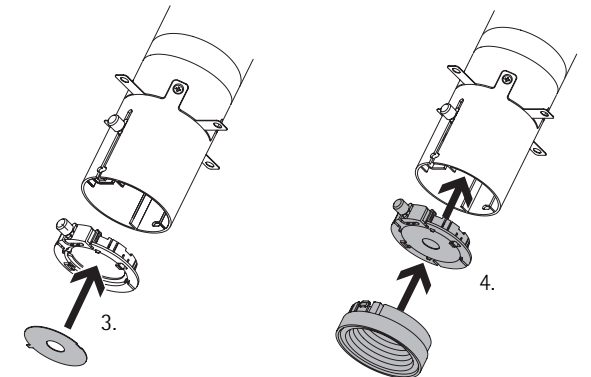
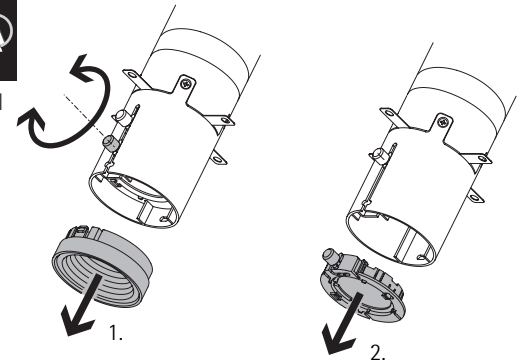
Contour spotlight



Contour spotlight



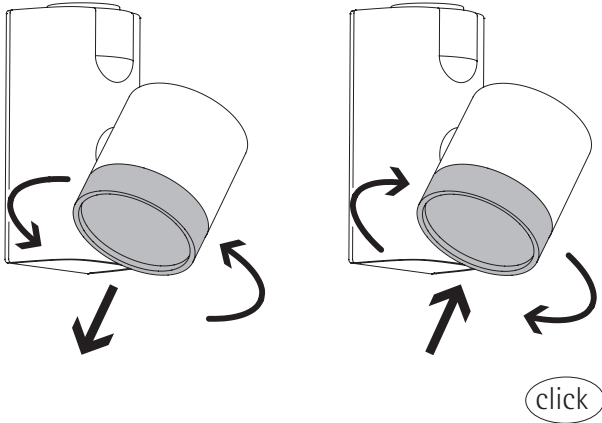
Optional



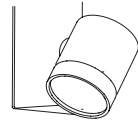
Accessories



Lens Unit



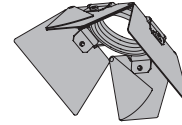
Accessories



Lens



Maximum 3 pieces!
No filter!



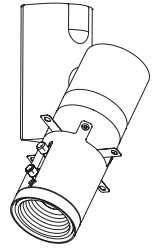
Glare protection
(Snoot or honeycomb
or barndoors)



Accessories



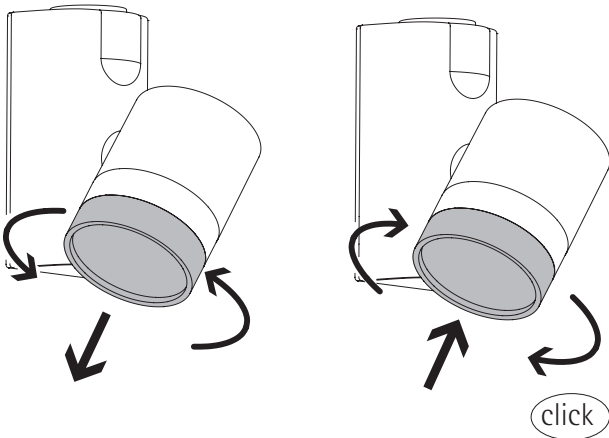
Framing



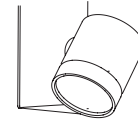
No filter



Accessories



Zoom



Lens unit zoom



Maximum 3 pieces!
No filter!



Lens

Glare protection
(Snoot or honeycomb
or barndoors)



English

Follow all enclosed instructions during installation.

Restrictions

On-board Dim

Dimming with external dimmers is not possible.

Contour spotlights

For sharp edges you can fit the included aperture.